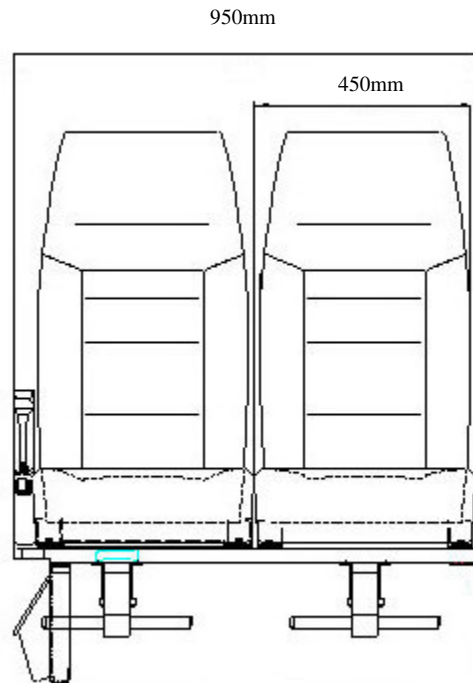
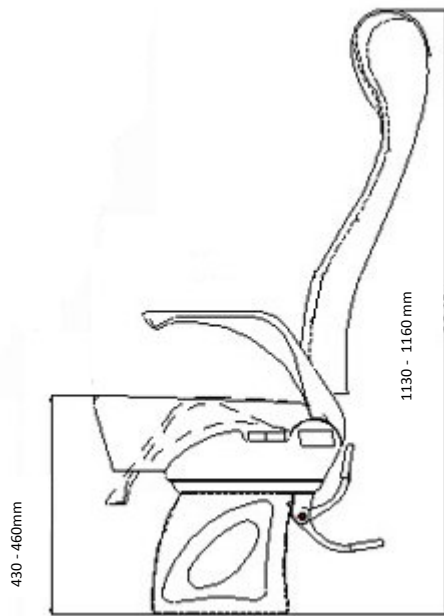
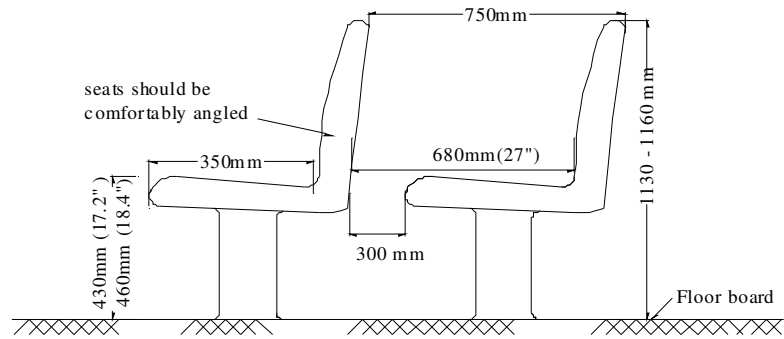


Technical Requirements for Seat Allocated Bus Services

Air Conditioned Service

- High back Luxury Seats (of height not less than 700mm from the top of seat cushion.).
- 2 stage Backrest adjustment 0 – 40°.
- Arm rest for Aisle Seats.
- Seat Numbering.
- Tinted windows (other than windscreens and windows of both sides to driver seat.)
- Fabric Seat covers with magazine pouch.
- Luggage compartment of not less than 1 m³.
- Seating Capacity not less than forty.
- Emergency door should be fitted at the rear of the vehicle and the gangway that lead up to the exit without any obstruction.
- The Width of seat cushion shall be 450mm.
- The width of every gangway shall be not less than 305 millimeters up to height of 760 millimeters from the floor level and above that height not less than 355 millimeters.
- All parts of the passenger area is non slip and non metal .
- Suitable power assisted door closure shall be provided to close and hold such doors securely closed.
- The Minimum depth of the seat cushion shall be at least 350 millimeters.
- Accelerated running noise level should be measured in Maximum(Lmax) mode
 - (a) External noise level measured at a distance of 5 m, away from the silencer and exhaust noise should not exceed 82dB.
 - (b) Noise Level inside the passenger cabin should not exceed 80dB.
 - (c)Horn noise level should measure at 5 meters; away from the front buffer noise should not exceed 105dB.
- Passenger information Panel should be at least 18 inch width and 10 inch height and fitted to face seated passengers.
- The glass of the windscreen and windows shall be made of safety glass.
- Full glass Windscreen should be fitted.
- Digital clock should be fitted and the time could be visible to every seating passengers.
- (a)Both front and rear should be in single colour.
 - (b)Gray colour is preferable.(Exact colour code : will be inform in new process)
- Suitably illuminated destination indicator boxes should be 1500mm (5ft) in width 300mm (1ft) in height. Destination indicator boxes should be provided at front and rear. Preferably middle upper part of the windscreen.
- There is a clear space of at least 680 millimeters between the front surface of the seat back measured horizontally and a clear space of at least 300millimetres in front of any part of that seat.



- Seating capacity not less than twenty five high back adjustable seats (folding seats not permissible).
-
- Adjustable footrest.
- In – coach Air conditioning.